

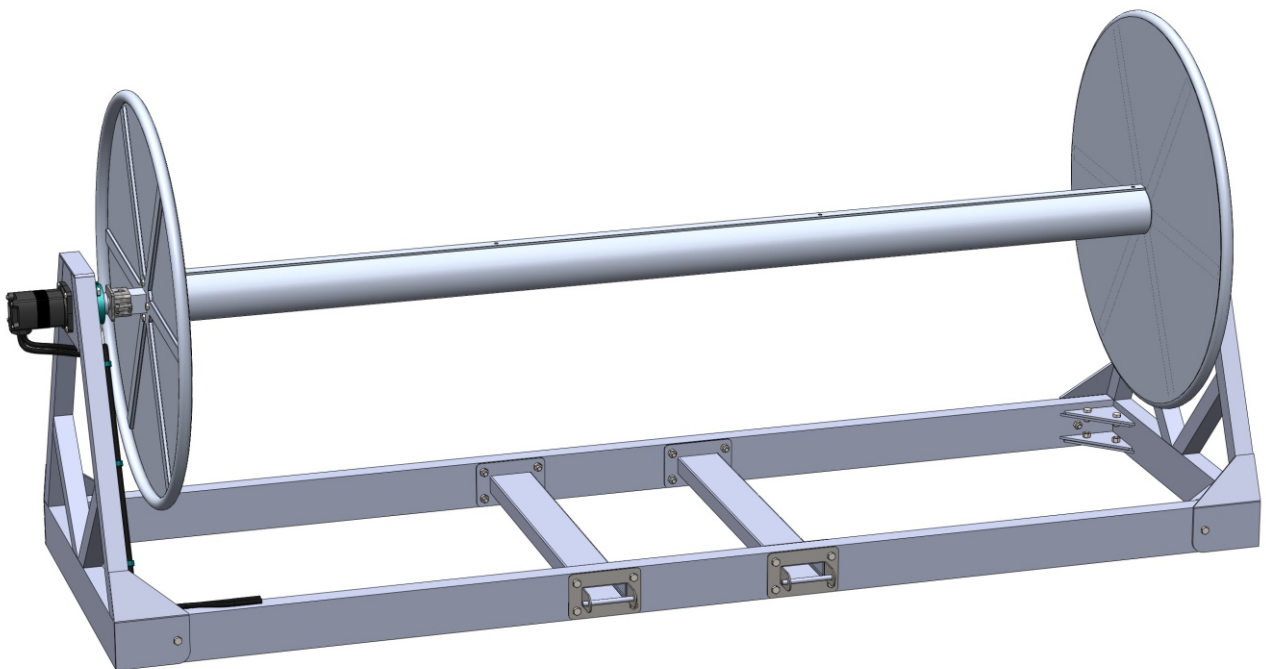


**NoFloods**  
By Environment Solutions

ENG

# ASSEMBLY MANUAL

## Hydraulic winch 125



**CAUTION**

HEAVY  
LIFTING  
> 20kg

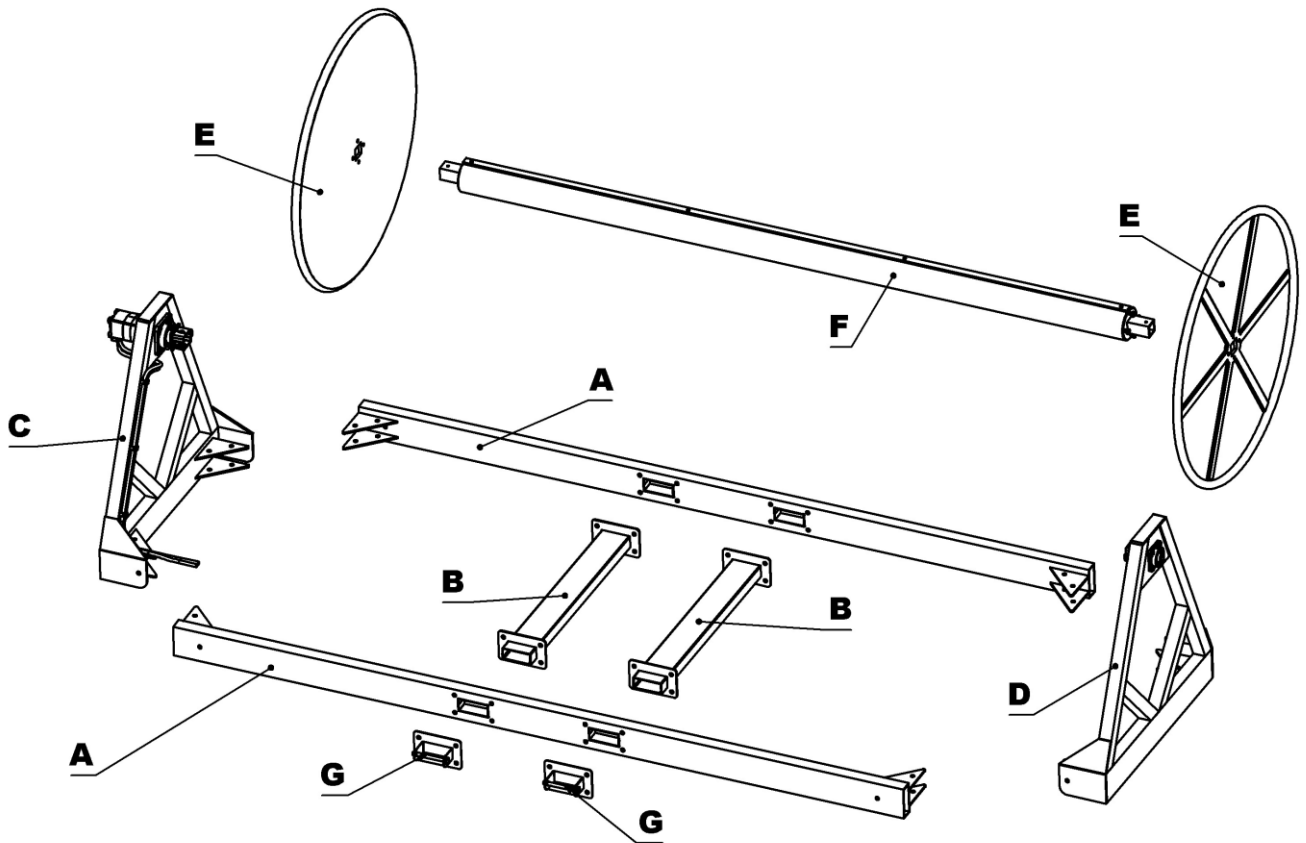
DO NOT  
WALK  
UNDER  
LOAD

WEAR  
SAFETY  
HELMET

WEAR  
SAFETY  
SHOES

Original instruction and maintenance manual -Version 032018  
Environment Solutions ApS  
Heraskovvej 17i, 4400 Kalundborg, Denmark  
[www.environmentalsolutions.dk](http://www.environmentalsolutions.dk)  
[www.nofloods.com](http://www.nofloods.com)

# PARTS OVERVIEW



PART	PART NAME	PIECES
A	Frame Long bar	2
B	Fork tunnel	2
C	Frame engine side	1
D	Frame NO engine side	1
E	Wing	2
F	Drum	1
G	Fork locker	2

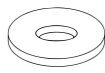
## BOLTS & NUTS



**1**  
M20x55  
16pc



**4**  
M16x60  
8pc



**7**  
M20  
72pc



**2**  
M20x130  
20pc



**5**  
M12x50  
8pc



**8**  
M16  
8pc



**3**  
M10x150  
2pc



**6**  
M20  
36pc

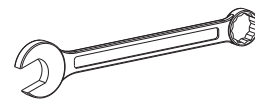


**9**  
M20  
36pc

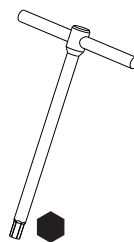


**10**  
M16  
8pc

## TOOLS



#19 x 1pc  
#24 x 1pc  
#30 x 2pc

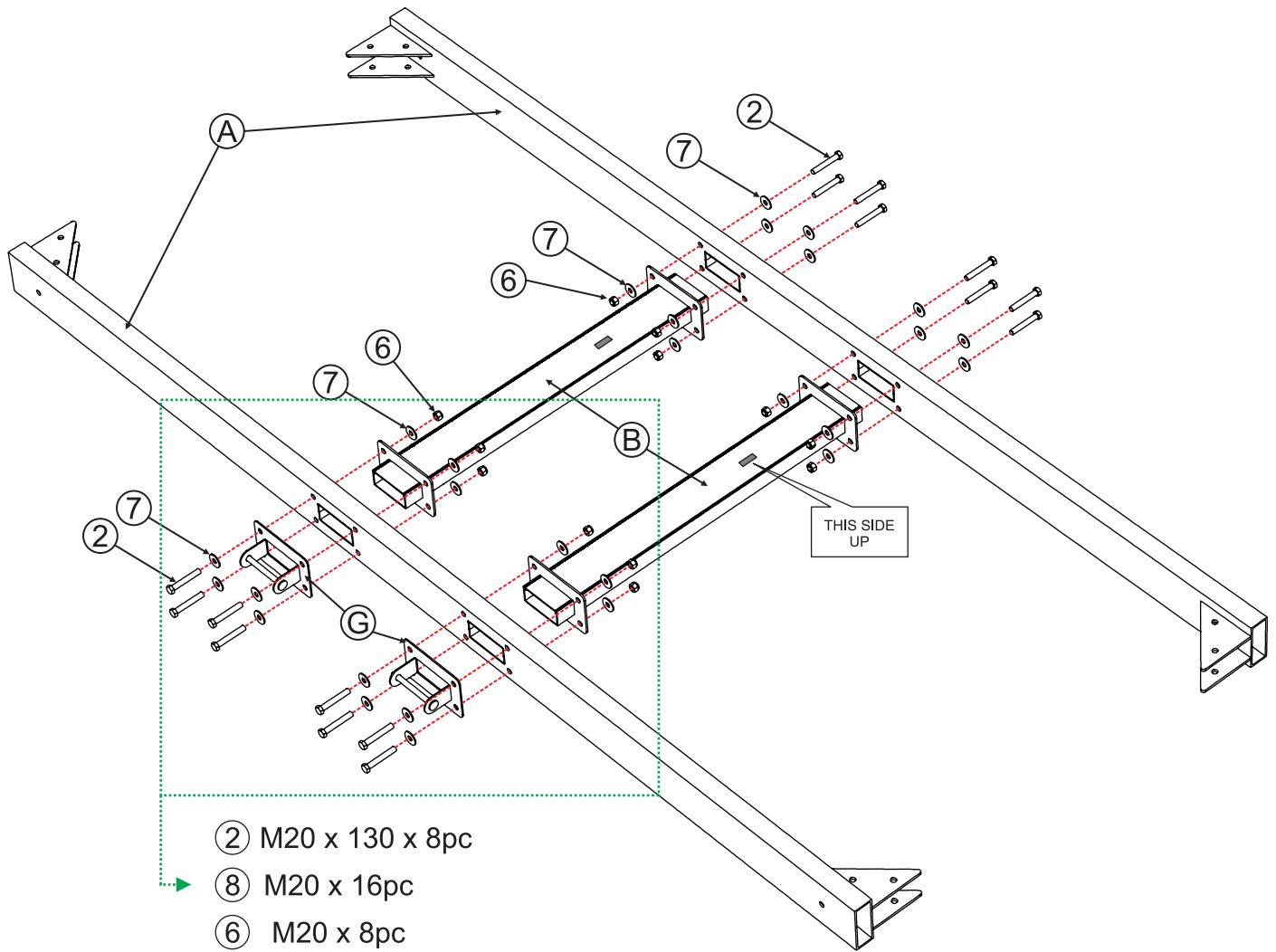


#10 x 1pc

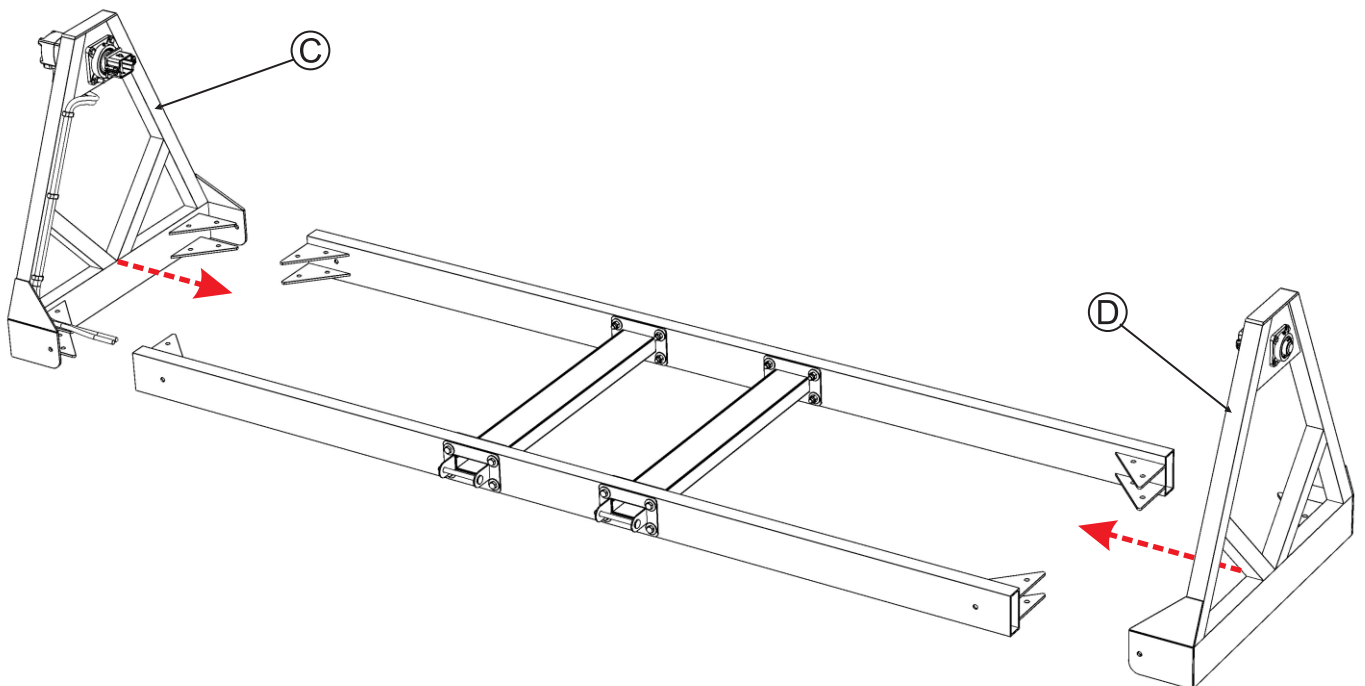
## STEP 1

Assembly should be done on a solid, even surface, preferably elevated.

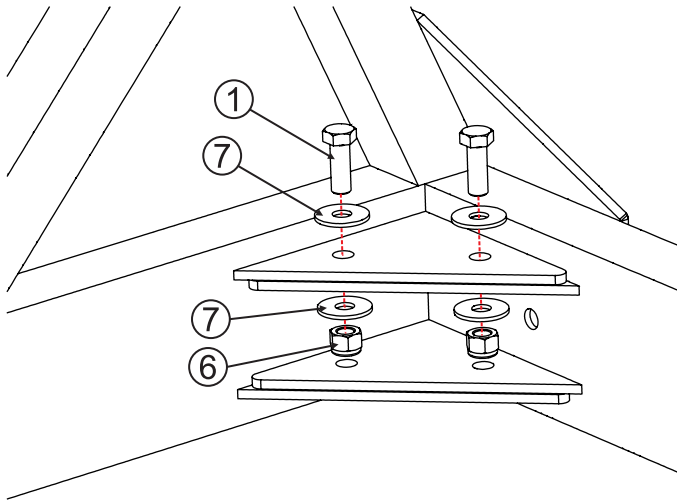
Do NOT tight bolts 100%. Leave them fairly loose until parts C and D are assembled.



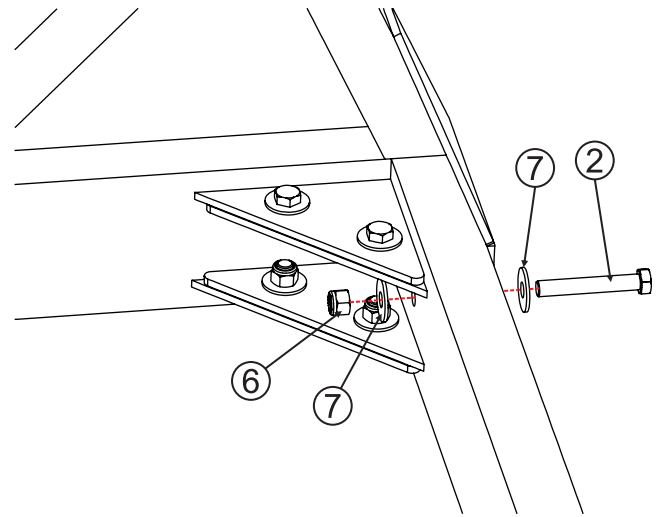
## STEP 2



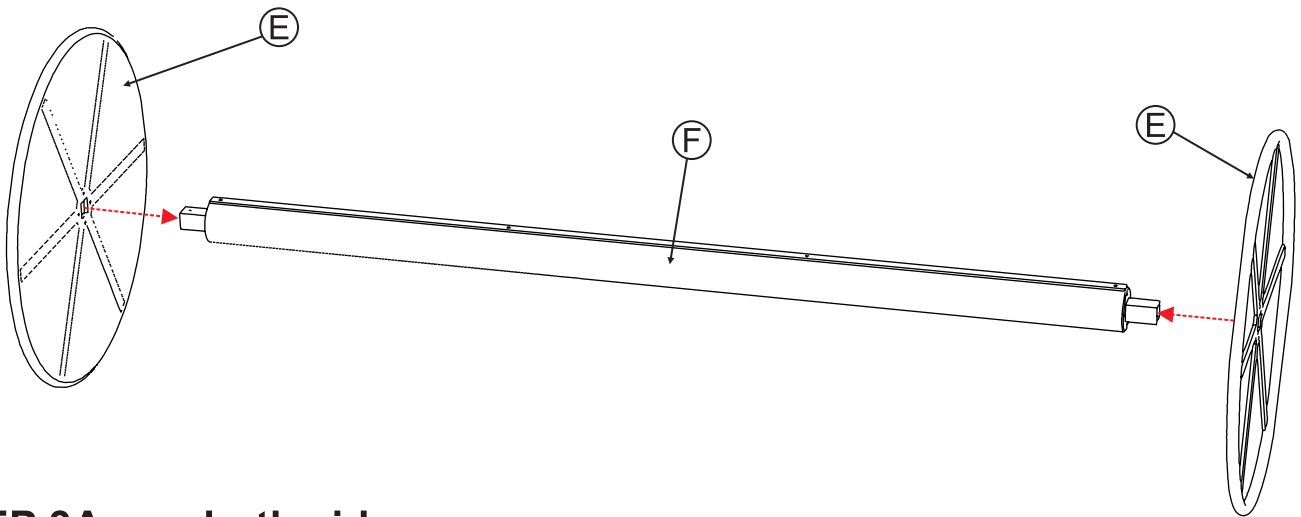
**STEP 2A x 4 corners**



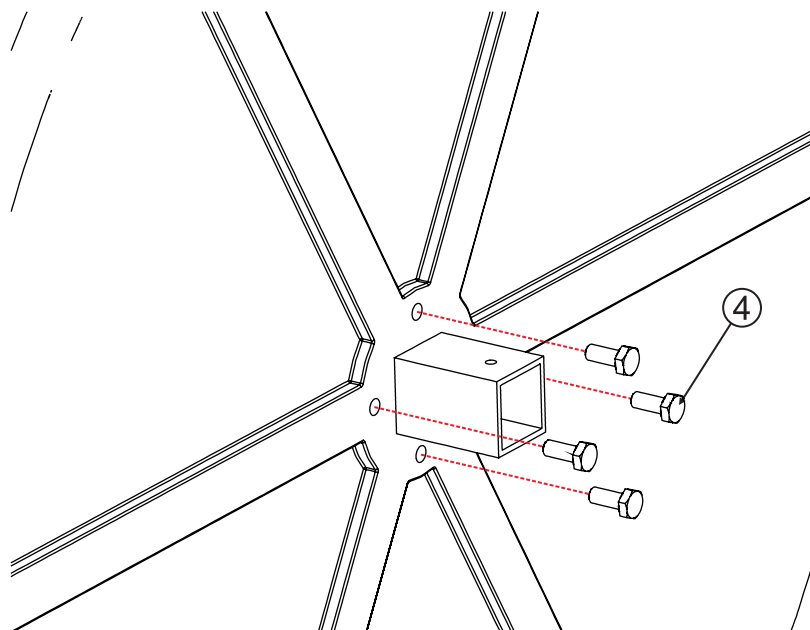
**STEP 2B x 4 corners**



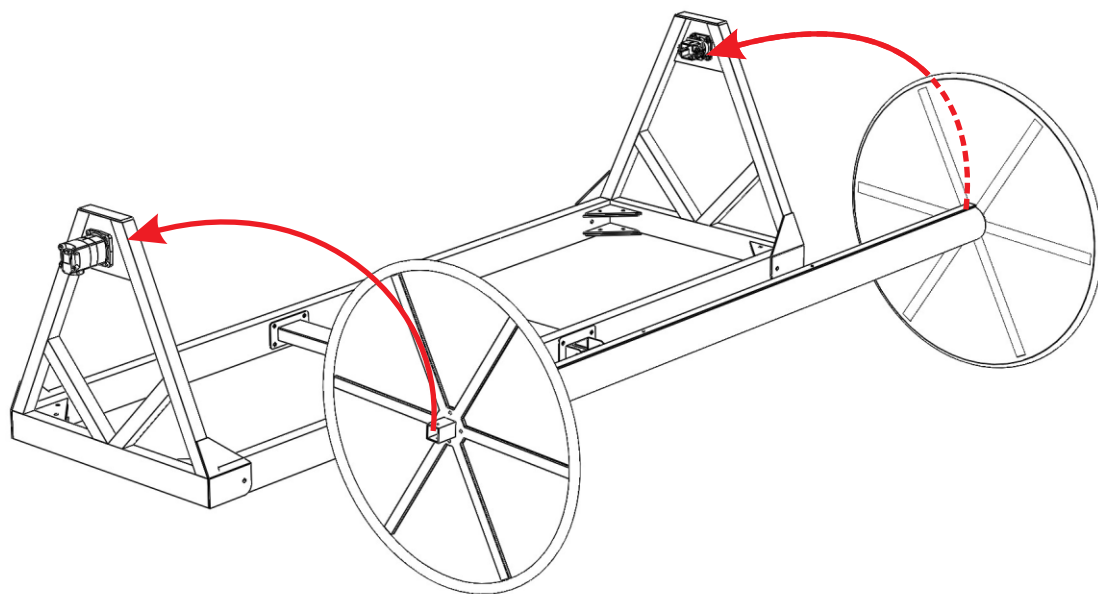
**STEP 3**



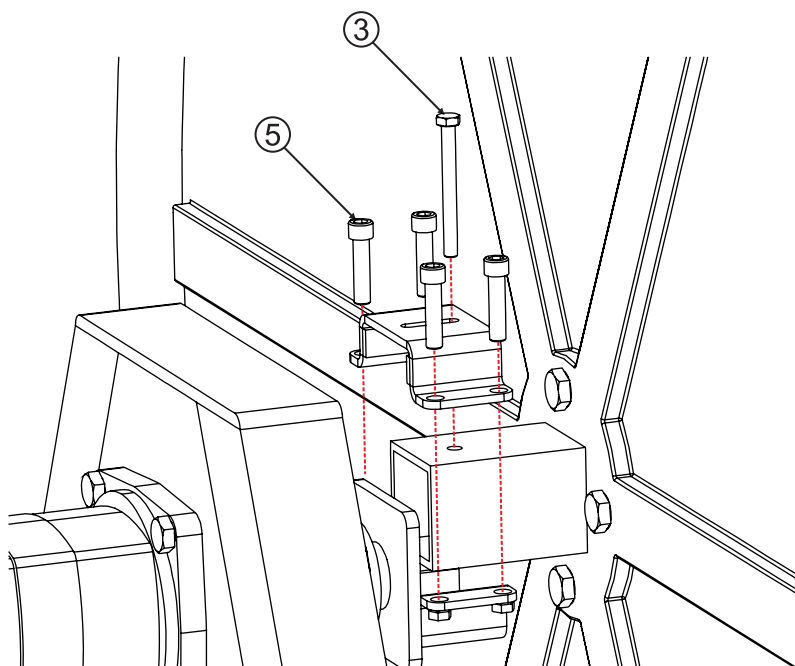
**STEP 3A - on both sides**



## STEP 4



## STEP 5 - Both sides



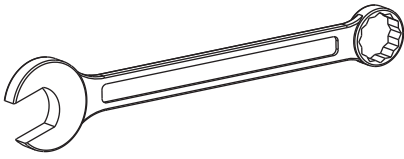
## IMPORTANT

*The use of the product is always the operator's responsibility.*

*Even though the instructions in this manual are followed closely, operators will most likely experience situations that are not adequately described or can be included in this manual, since it is not possible to take into account the impact of all local and external conditions. In such situations, the operator must act on the precautionary principle. If the operator is unsure about whether the usage of The NoFloods Hydraulic Winch can be carried out safely, he should NOT do it.*

Environment Solutions Science and Technology ApS,  
Hareskovvej 17i, 4400 Kalundborg, Denmark  
Phone: +45 70707482  
Email: info@nofloods.com

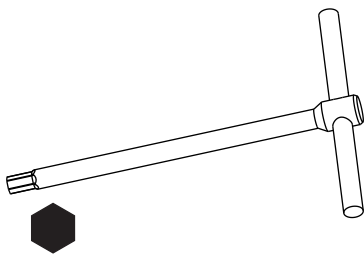
# WINCH TOOL BOX



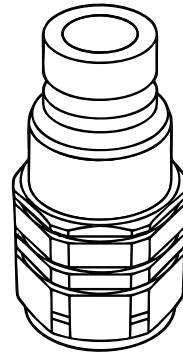
#19 x 1pc

#24 x 1pc

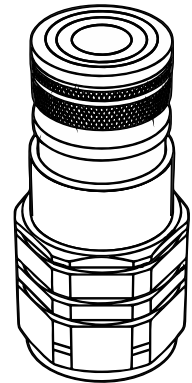
#30 x 2pc



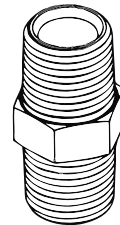
#10 x 1pc



FF-DN10  
1/2" BSP M



FF-DN10  
1/2" BSP F

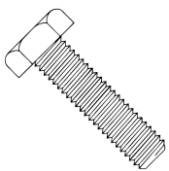


Nippel  
BSPx1/2"

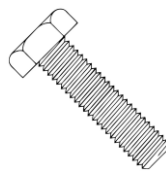


Gasket  
RG1/2-MM20  
2 pc

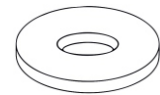
## ASSEMBLY SCREWS



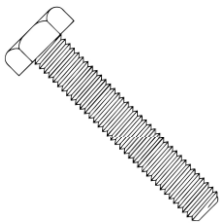
**1**  
M20x55  
16pc



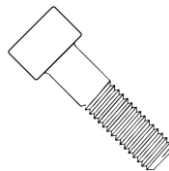
**4**  
M16x60  
8pc



**7**  
M20  
72pc



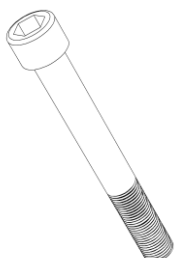
**2**  
M20x130  
20pc



**5**  
M12x50  
8pc



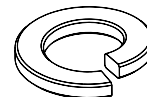
**8**  
M16  
8pc



**3**  
M10x150  
2pc



**6**  
M20  
36pc



**9**  
M20  
36pc



**10**  
M16  
8pc



[NOFLOODS.COM](http://NOFLOODS.COM)